



Turbo Liquidizers

Turbo Liquidiser for Soups - 1 speed (1600 rpm)

ITEM # _____

MODEL # _____

NAME # _____

SIS # _____

AIA # _____



603794 (DTBM150-01) Stainless steel turbo liquidiser 1 speed (soup) with micro liquidiser

Short Form Specification

Item No. _____

For mixing, liquidising, reducing and emulsifying. Constructed entirely in 18/8 stainless steel. Mounted on a mobile stainless steel trolley. Can be adapted to all recipient shapes: cylindrical, rectangular, etc. The mixer tube is easily removable without tools and can be dismantled in separate parts: tube, shaft, bearing, and rotor. No volt release system. Safety device in non-working position and protective ring for the grinding head. 1 speed motor: 1600 rpm. Stainless steel micro liquidiser for fish soup available as an option. Supplied with stainless steel micro liquidiser for kitchen use.

Main Features

- Used to mix, blend and emulsify vegetable and soups, fruit and vegetable purées, liquid pastries, sauces and much more directly in cooking pots/containers.
- Liquidiser is mounted on a mobile stainless steel trolley and is height adjustable on installation.
- Turbine accelerates the flow of the liquid over the impeller providing a greater throughput and finer grinding.
- Safety device allows the machine to start only when it is in a working position.
- Equipped with protective ring to cover grinding head.
- Suggested for deep and low pans containing between 500 and 1000 liter of liquid.

Construction

- Power: 3000 watts.
- IP55 electrical controls and IP34 overall machine.
- Constructed entirely in stainless steel to offer maximum durability.
- 1 speed: 1600 rpm.

Included Accessories

- 1 of Stainless steel micro liquidiser for TBM150 (kitchen) PNC 653243

Optional Accessories

- Stainless steel micro liquidiser for TBM150 (fish soup) PNC 650043
- Stainless steel micro liquidiser for TBM150 (kitchen) PNC 653243

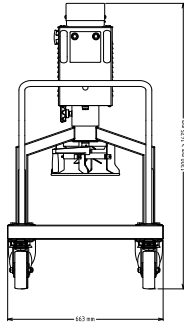
APPROVAL: _____



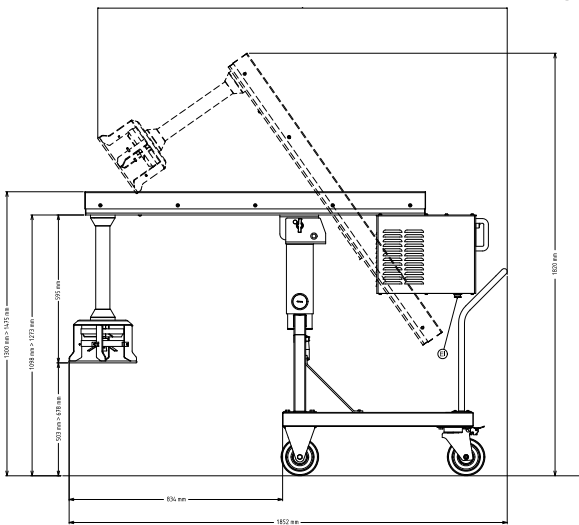
Turbo Liquidizers

Turbo Liquidiser for Soups - 1 speed (1600 rpm)

Front

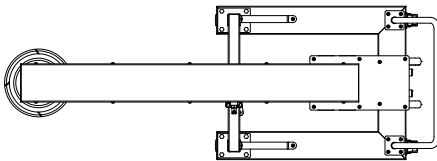


Side



EI = Electrical inlet (power)

Top



Electric

Supply voltage:	380-415 V/3 ph/50 Hz
Electrical power, max:	3 kW
Total Watts:	3 kW

Capacity:

Capacity (up to):	1000 Litre
--------------------------	------------

Key Information:

External dimensions, Width:	663 mm
External dimensions, Depth:	1852 mm
External dimensions, Height:	1475 mm
Shipping weight:	220 kg



Turbo Liquidizers
Turbo Liquidiser for Soups - 1 speed (1600 rpm)
The company reserves the right to make modifications to the products without prior notice. All information correct at time of printing.